



PD8-CB - Power Distribution Module

Overview:

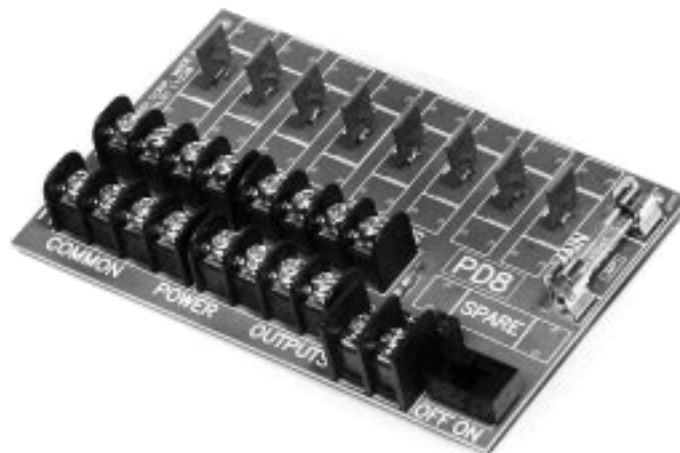
The PD8-CB Power Distribution Unit is a convenient way to convert a single DC or AC output power supply to eight (8) individually circuit breaker outputs.

Specifications:

- Conveniently converts a single AC or DC input into eight (8) individually circuit breaker outputs.
- Surge protected outputs.
- Handles up to 28VAC/VDC.
- Power output LED indicator.
- Power ON / OFF switch.

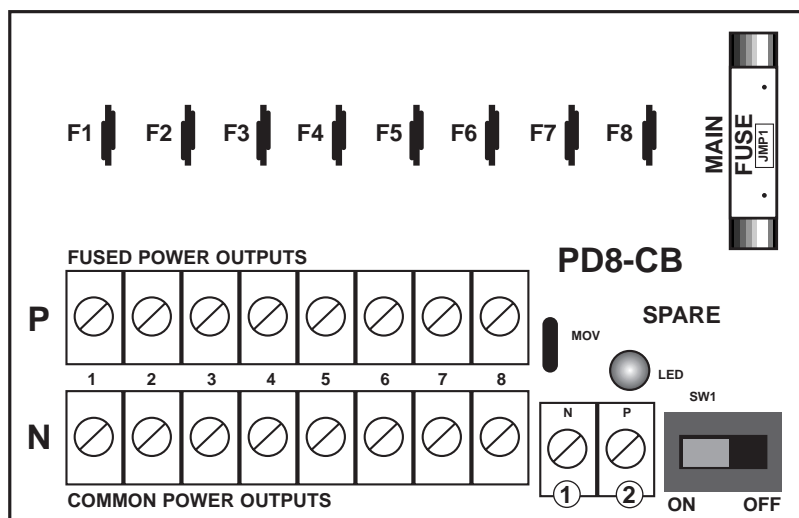
Board dimensions:

5.25"L x 3.25"W x 1"H



Installation:

1. Mount PD8-CB in desired location.
2. Connect the power supply output to input terminals marked [1] and [2] (terminal [1] is NEG. (-) terminal [2] is POS. (+)).
Note: If using DC take care to follow polarity indicated on above diagram.
3. Connect devices to be powered to terminal pairs 1 to 8, marked "1P-1N thru 8P - 8N"
Note: Is good operating practice to measure output voltage before connecting devices. All terminals with common suffix P 1P, 2P..." are same polarity.
4. Slide switch on board turns output power ON and OFF.



Altronix is not responsible for any typographical errors. Product specifications are subject to change without notice.

MEMBER

140 58th Street, Brooklyn, New York 11220 USA, 718-567-8181, fax: 718-567-9056
website: www.altronix.com, e-mail: info@altronix.com, Lifetime Warranty, Made in U.S.A.
IIPD8CB - Rev. 021699